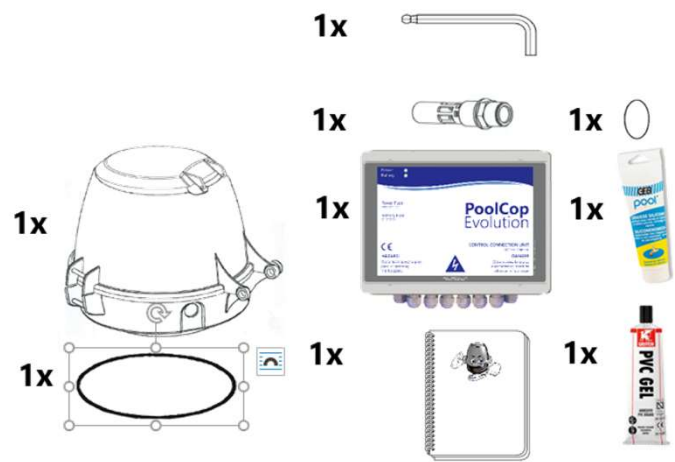
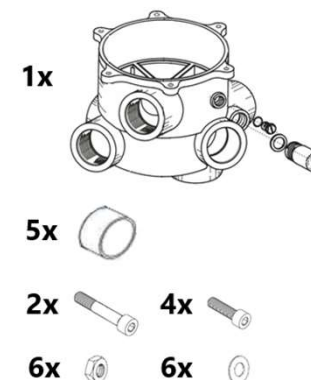


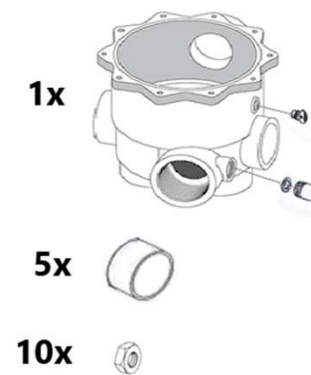
**Contents**



**If 1.5" VDU**



**If 2.0" VDU**



1



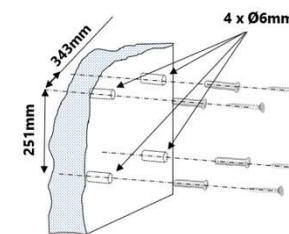
2



3



4



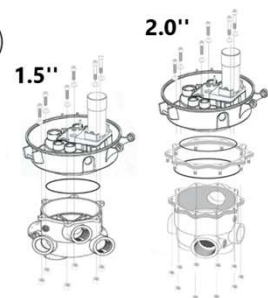
5



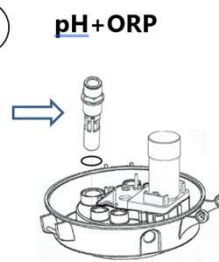
6



7



8



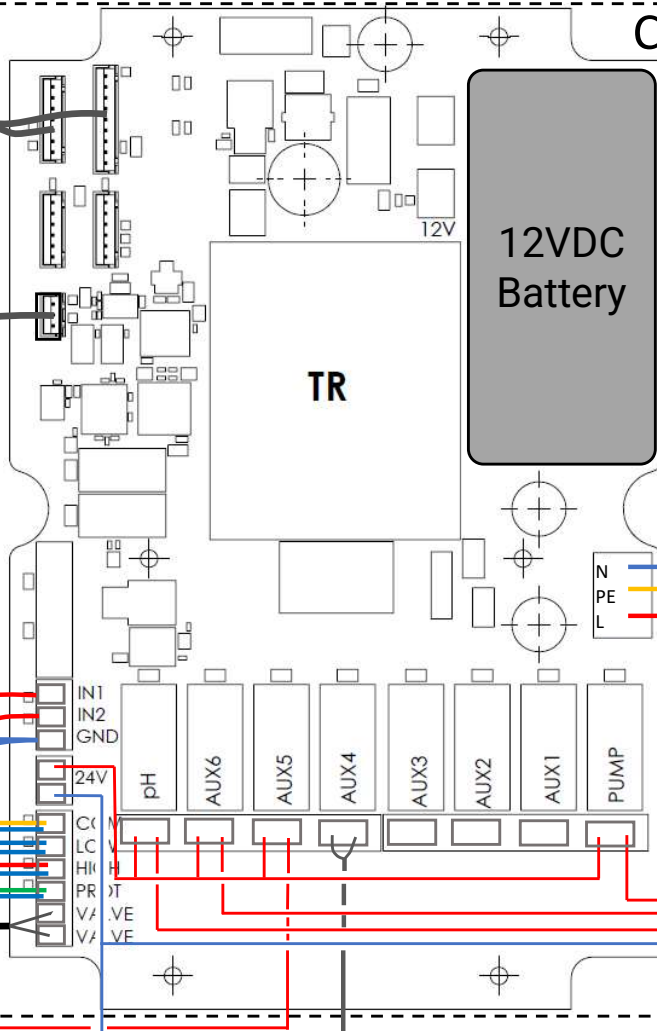
9



VDU



CCU



12VDC Battery

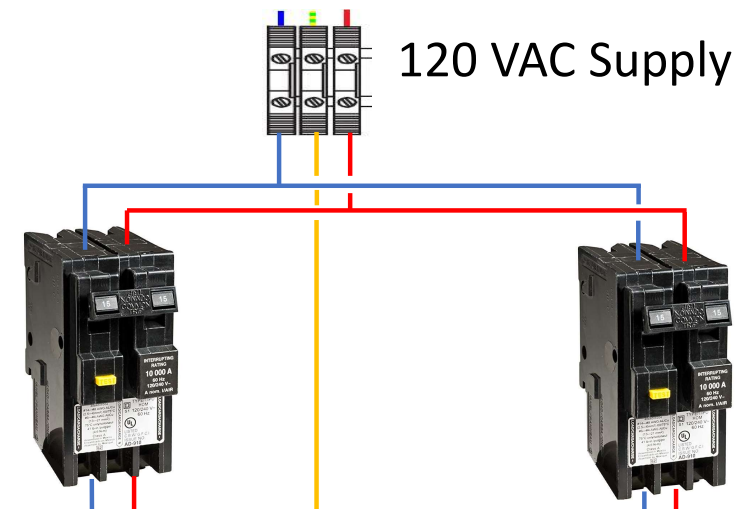
TR

N  
PE  
L

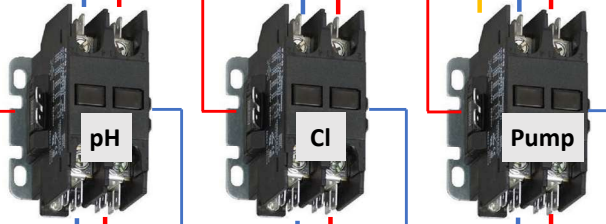
IN1  
IN2  
GND  
24V  
LC  
HI  
PR  
DT  
VE  
VF

pH  
AUX6  
AUX5  
AUX4  
AUX3  
AUX2  
AUX1  
PUMP

120 VAC Supply



Power Box



Air Temp Sensor



Waste Valve



Water Level



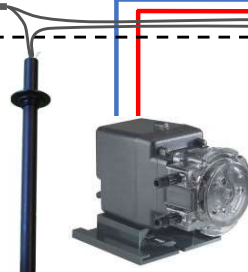
Flow Switch



Ext. Warn.



pH Feeder



Cl Feeder



Filtration

